

# framery



Framery O

## Tech Specs

# Exterior material

## **Exterior**

Painted sheet metal or brushed stainless steel.

## **Glass**

Sound control laminated glass.

## **Frame**

Formica laminate on birch plywood with varnish trim.

---

# Interior material

## **Solid walls and roof**

Sandwich element of sheet metal, birch plywood, recycled acoustic foam and acoustic felt. Anti-static and stain resistant low loop pile carpet for interior floor.

## **Table**

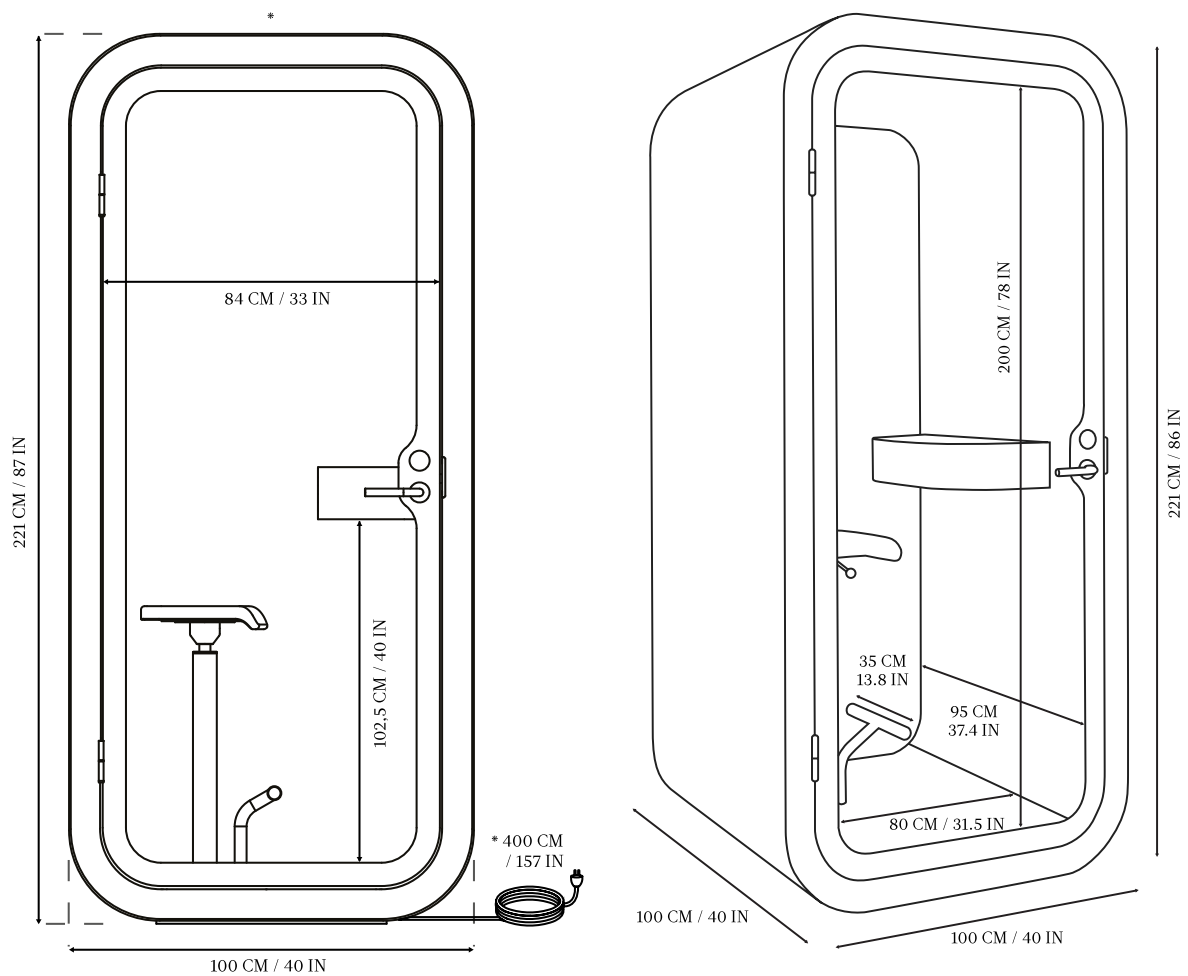
Formica laminate on birch plywood with varnish trim.

---

# Measurements

## Size

221 cm x 100 cm x 100 cm (h, w, d)  
87 in x 40 in x 40 in (h, w, d)



---

### Regular table size

13 cm x 70 cm x 28,5 cm (h, w, d)

5,1 in x 27,5 in x 11,2 in (h, w, d)

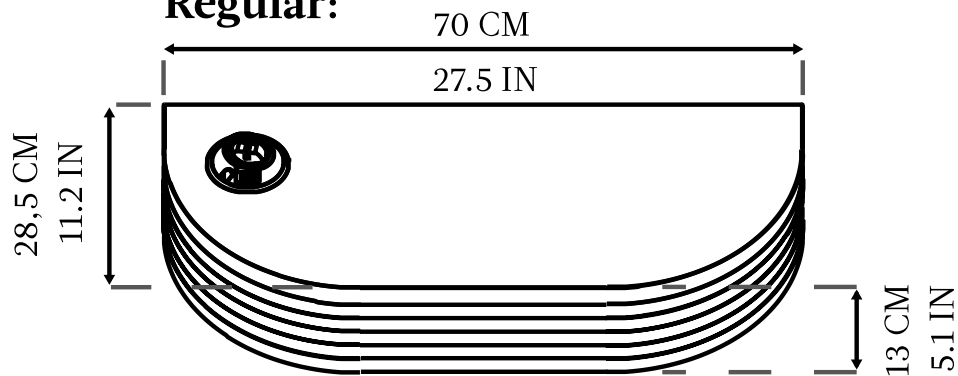
### Wide table size

12 cm x 75 cm x 30 cm (h, w, d)

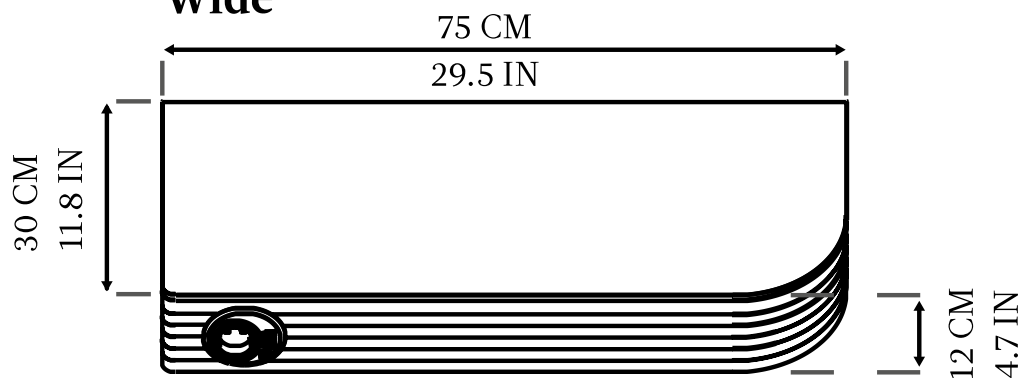
4,7 in x 29,5 in x 11,8 in (h, w, d)

## Table

### Regular:



### Wide



---

### Weight

350 kg / 772 lb

# Fire safety

No flammable materials are used in Framery products. The fire safety of all surface materials, upholstery and acoustics materials of the products is tested and classified by either national or international standards. Framery O and Q exterior sheet metal panels and sound-control laminated glass are of such quality that they may halt heat and fire. Outer frames with laminated surface are IMO certified (French Maritime Authority). Used acoustic foam meets B-s1, d0, EN 13501-1, acoustic felt EN 13501-1 and floor carpet Cfl-s1, EN 13501-1 requirements.

Molded foam used in Tovi stool seat meets CA TB 117:2013 requirements. Used fabric meets the performance requirements of BS EN 1021-1 and 1 021-2.

According to Inspecta, an EU accredited inspection body, there is no need for installing sprinklers in Framery O or Q.

---

# Seismic safety

In Framery's case, seismic requirements generally refer to the products' ability to stay upright in case of an earthquake. If needed, the products can be fixed to the floor with anchor bolts using the leveling glide screw holes in the floor modules. Instructions are available upon request.

---

# Air quality and flow

The indoor air quality of all products is tested by an accredited testing laboratory, VTT Technical Research Centre of Finland, and is found to be well within the limits of M1 emission classification. Total air flow in Framery O pod is 21,5 l/s. Total air flow in the 2018 updated Framery Q pod is 66 l/s.

# Environmental friendliness

Framery products are mainly made of birch plywood. All plywood used in Framery products is produced either in Finland or neighboring countries, while all suppliers are required to have FSC or PEFC certification. A majority of the materials used are recycled or recyclable. The acoustic foam and the interior felt used in the products are up to 60–70 % recycled. A significant part of all steel, aluminium and glass is recycled in their manufacturing processes. Both Framery O and Q are highly energy-efficient. When the products are in use, the standard power consumption of Framery O is 4,82 W while Framery Q uses just under 12 W. So, ten Framery O's use less energy than one 60 W light bulb.

---

## Service

Framery wear parts (including gas lifts, leveling glides, LED lighting, electric parts, hinges and locks) are warranted. Rigorous maintenance will expand the lifespan of a single pod unit substantially. Maintenance includes regular service calls for the unit (tightening screws, adjusting hinges, etc.) and replacement of wear parts.

---

## Power

Framery O: Input: 100–240 VAC, 6.0 A, 50–60 Hz /  
Output VAC (table socket): 100–240 VAC, 5.6 A, 50–60 Hz

Optional USB Charging: Twin USB Fast charger (TUF) maximum combined output of 5A at 5V DC

---

# Certificates

