



- Smooth, dynamic movement through patent-pending Geometric Spring System
- Ergonomically compatible with tablets and touch screen technology
- Weight gauge reduces installation time and allows consistent performance
- Self balancing head provides accurate screen positioning and stability
- Integrated 3-point cable management system



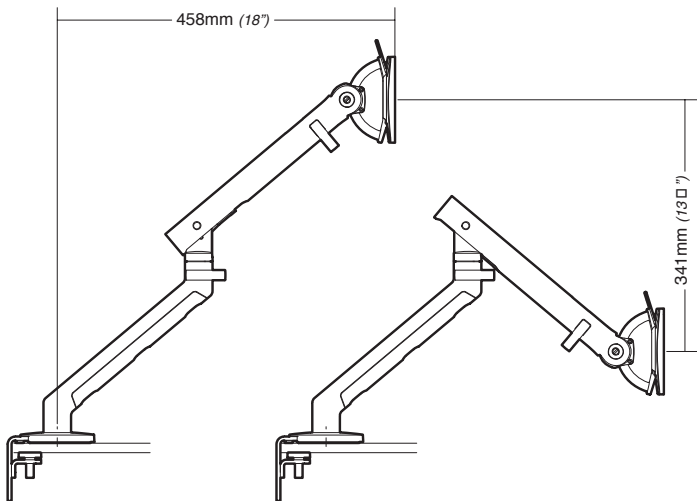
**UNRIVALLED
PERFORMANCE
FROM THE MARKET
LEADING MONITOR
ARM**



info@cbsproducts.co.uk
www.colebrookbossonsaunders.com



colebrook bosson saunders



CODE DYN

Dynamic Monitor Arm

TECHNICAL INFORMATION

- Net product weight 2.6kg
- Lifetime warranty
- VESA 75 and 100 compliant



	Total Material Weight (g)	Material Type Recycled Content (%)	% PIR of Total Weight	% PCR of Total Weight	% of Total Product Recyclable
Aluminium	924	95	18	16	36
Steel	1229	13	1	5	48
Plastic	251	-	-	-	10
Zinc	183	44	2	2	7
Total	2587	43	21	23	100

Data sheets are available for more detailed product information.
Please contact your Account Manager on +44(0)207 940 4266.