

ASCEND DESK



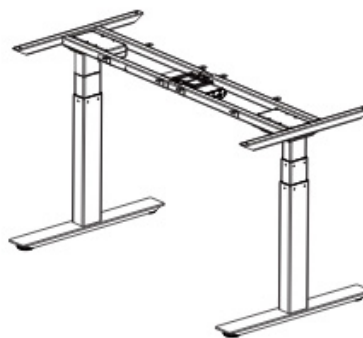
ASCEND DESK

- Easy assembly for end user, assembly time is 10 mins.
- Desk (twin motor) design that provides a 180kg heavy duty lift capacity.
- Support tops ranging from 1250-2200mm wide.
- Quick and quiet adjustment speed – sitting to standing in 10 seconds.



* Sliver available in NZ only.

Base colours



1270mm

620mm

1250 to 2000